

GROUND FLOOR PLAN O.P.D. BUILDING

SCALE : 1 : 100

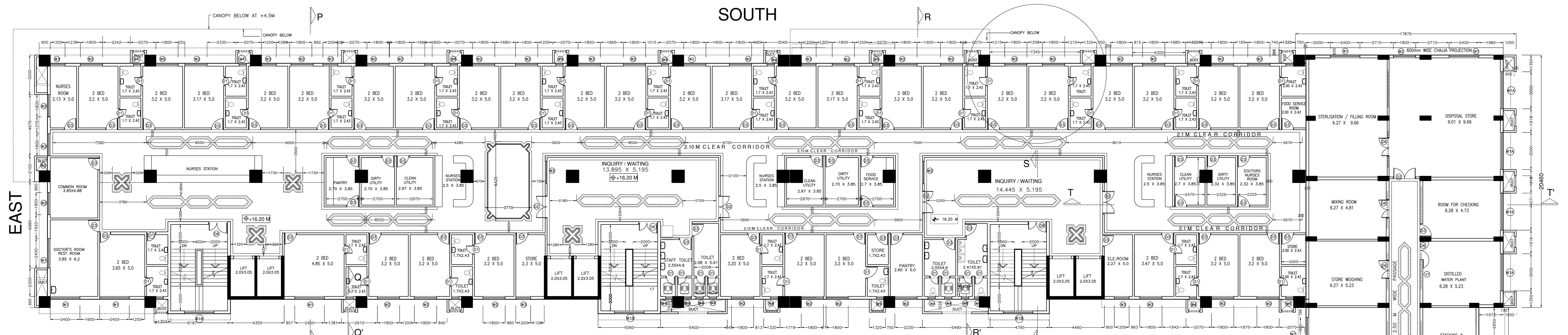
- NOTES :**
1. ALL DIMENSIONS ARE IN MM.
 2. THIS DRAWING SUPERSEDES ARCH.DRG NO- 149/DT-4-10-05.
 3. PARTITION OTHER THAN BRICK WORK SHOWN DASHED LINE.
 4. THE FLINTH LVL. OF THE BUILDING IS RANGED FROM +0.75M TO +1.20M AS PER THE NOTE FROM DT.G.E. (B.C.CITY) U/NO BY C.E./B.C./CITY/5936 DT.13.12.05.
 5. IN CASE OF DISCREPANCY MUNICIPAL ARCHITECT TO BE INTIMATED.
 6. THE DRAWING IS REVISED ON 15.02.06 AS PER I.E.E. CITY INSTRUCTION TO RESTRICT CANOPY PROJECTION 3.0M FROM INNER SIDE OF THE BEAM.
 7. THE DRAWING IS REVISED WITH RESPECT TO DOOR TYPES ON 03.03.06 & 12.04.06.

BRIHANMUMBAI MAHANAGARPALIKA

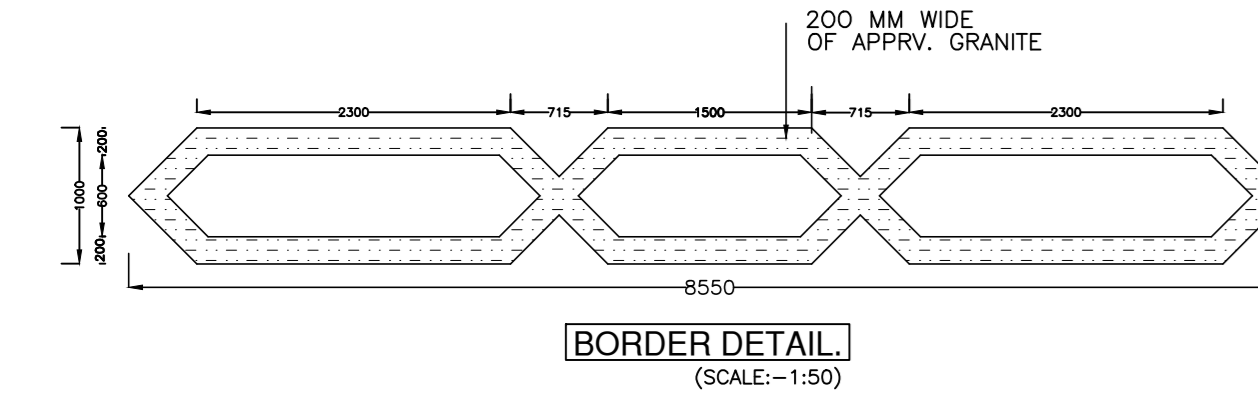
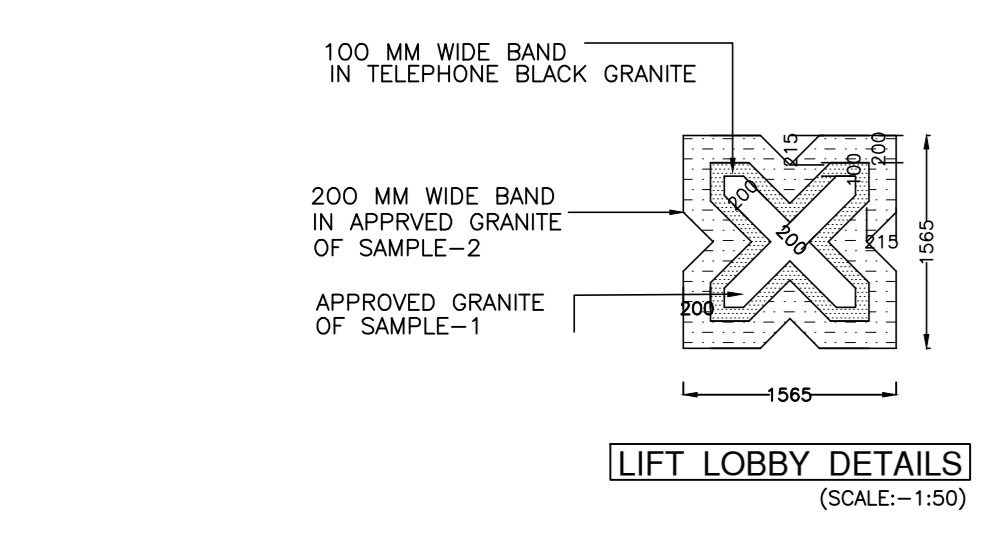
GROUND FLOOR PLAN OF PROPOSED O.P.D & M.O.T. BUILDING AT L.T.M.G. HOSPITAL, SION .

SCALE : 1:100 WARD : F/N ARCH. DRG. NO - 176/16-11-2005

S.E. ARCH. SR. ARCH. DY.MUN ARCHITECT MUNICIPAL ARCHITECT (I/C)



FIFTH FLOOR PLAN OF O. P. D & M.O.T BUILDING (SCALE : 1 : 100)



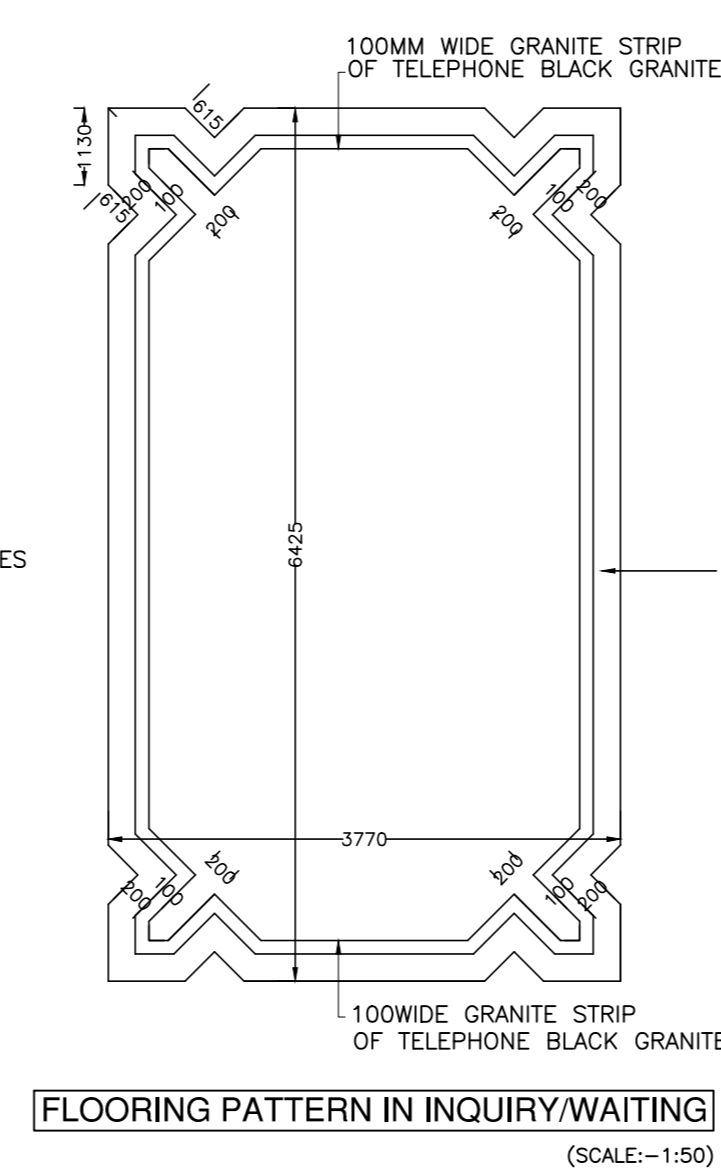
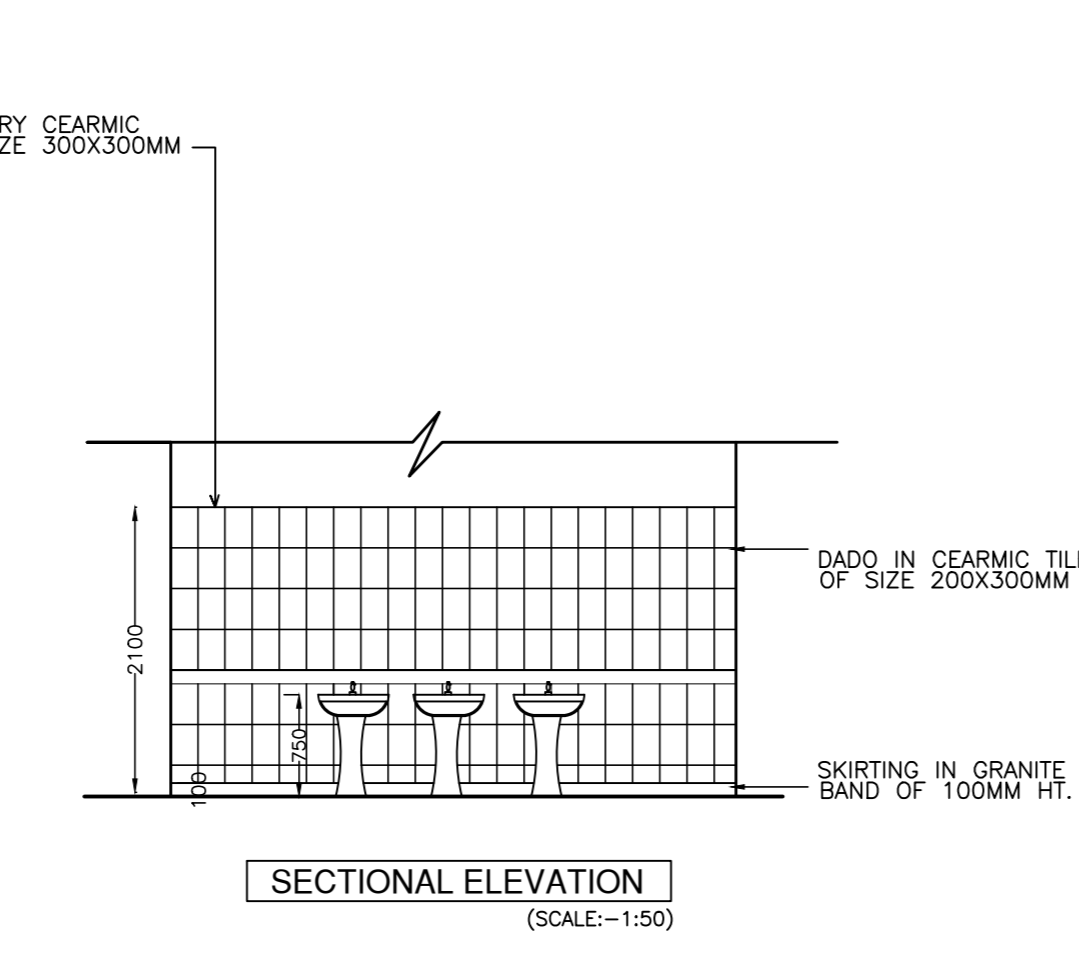
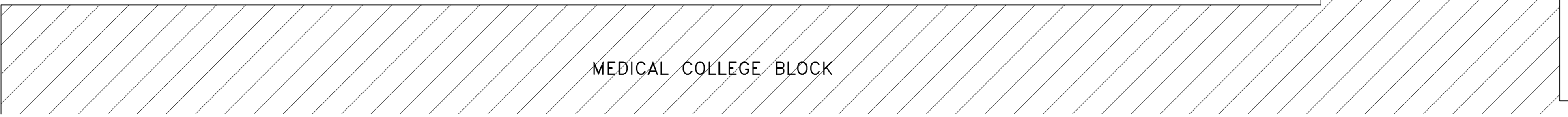
NOTE: THIS DRAWING SHALL BE SUPERSEDE EARLIER ARCH. DRAWING NO. 80/15-05-2006.

BRIHANMUMBAI MAHANAGARPALIKA
 PROPOSED FIFTH FLOOR PLAN OF O.P.D & M.O.T. BUILDING AT L.T.M.G. HOSPITAL, SION.

SCALE : AS SHOWN WARD : F/N ARCH DRG. NO. - APPROVED BY:

S.E.(ARCH.) SR. ARCH. DY.MUN. ARCHITECT MUNICIPAL ARCHITECT (I/C) USER DEPT.

NORTH

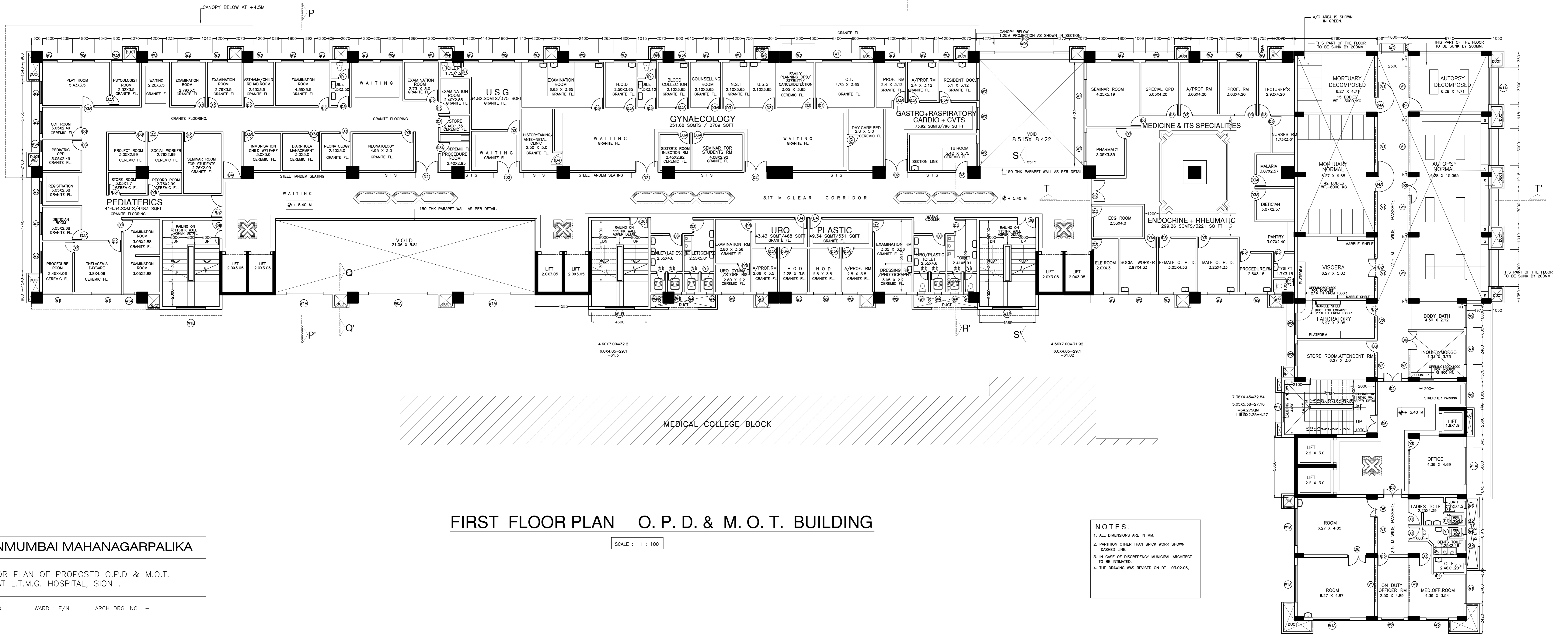


NOTES:
 1. ALL DIMENSIONS ARE IN MILLIMETERS UNLESS SPECIFIED.
 2. PARTITION OTHER THAN BRICK WORK SHOWN IN DASHED LINE.
 3. IN CASE OF DISCREPANCY MUNICIPAL ARCHITECT TO BE INTIMATED.

SCHEDULE OF FLOOR FINISHES :-			
FIFTH FLOOR PLAN			
SR.NO.	UTILITY	FLOORING	DADO/SKIRTING
1.	PASSAGES, LIFT LOBBIES, INQUIRY, WAITING AREA OF DEPARTMENTS, CORRIDORS, PASSAGE AT MORTUARY BLDG.	GRANITE FLOORING OF APPROVED COLOUR & OF SIZE 0.3M X 0.3M.	TOTAL DADO HT. 2.20M INCLUDES DADO UP TO 2.1M HIGH IN CERAMIC TILES IN APPROVED COLOUR & OF SIZE 0.2M X 0.2M AS PER DESIGN AND 0.1M HT. RUNNING GRANITE BAND FOR SKIRTING AND 0.1M HT. GRANITE BAND ALL OVER CERAMIC TILES AT TOP AS WELL & OF APPROVED COLOUR.
2.	STERILISATION/FILLING ROOM, DISPOSAL STORE, MIXING ROOM, ROOM FOR CHECKING, STORE, WEDGING, DISTILLED WATER PLANT, A.C. PLANT RM, STACKING & DISTRIBUTION RM, CLEAN UTILITY, DRY UTILITY, WARD, LABORATORY, FOOD SERVICE, PANTRY, DOCTORS ROOM, NURSE ROOM, BED ROOM, CHANGING ROOMS, MEDICAL OFFICER'S ROOM, COMMON ROOMS, STAFF ROOMS.	GRANITE FLOORING OF APPROVED COLOUR & OF SIZE 0.3M X 0.3M.	DADO UP TO 2.1M HIGH CERAMIC TILES OF SIZE 0.2M X 0.3M IN APPROVED COLOUR AS PER DESIGN AND SKIRTING IN 0.1M HIGH GRANITE BAND ALL AROUND.
3.	STORE ROOMS, ELECT. ROOM	GRANITE FLOORING OF APPROVED COLOUR & OF SIZE 0.3M X 0.3M.	0.2M HIGH SKIRTING IN GRANITE TILES IN APPROVED COLOUR AS PER DESIGN.
4.	STAIRCASES	TREADS AND RISERS IN GRANITE OF APPROVED COLOUR.	DADO UP TO 1.3M HT. CERAMIC TILES OF SIZE 0.2M X 0.3M IN APPROVED COLOUR AS PER DESIGN INCLUDING 0.1M HT. GRANITE BAND AT TOP & BOTTOM.
5.	TOILETS, STAFF TOILETS	ANTI-SKID CERAMIC TILES OF SIZE 0.3M X 0.3M IN APPROVED COLOUR AS PER DESIGN.	DADO UP TO 2.1M HIGH CERAMIC TILES OF SIZE 0.2M X 0.3M IN APPROVED COLOUR AS PER DESIGN AND SKIRTING IN 0.1M HIGH GRANITE BAND ALL AROUND.

WEST

N



FIRST FLOOR PLAN O.P.D. & M.O.T. BUILDING

SCALE : 1 : 100

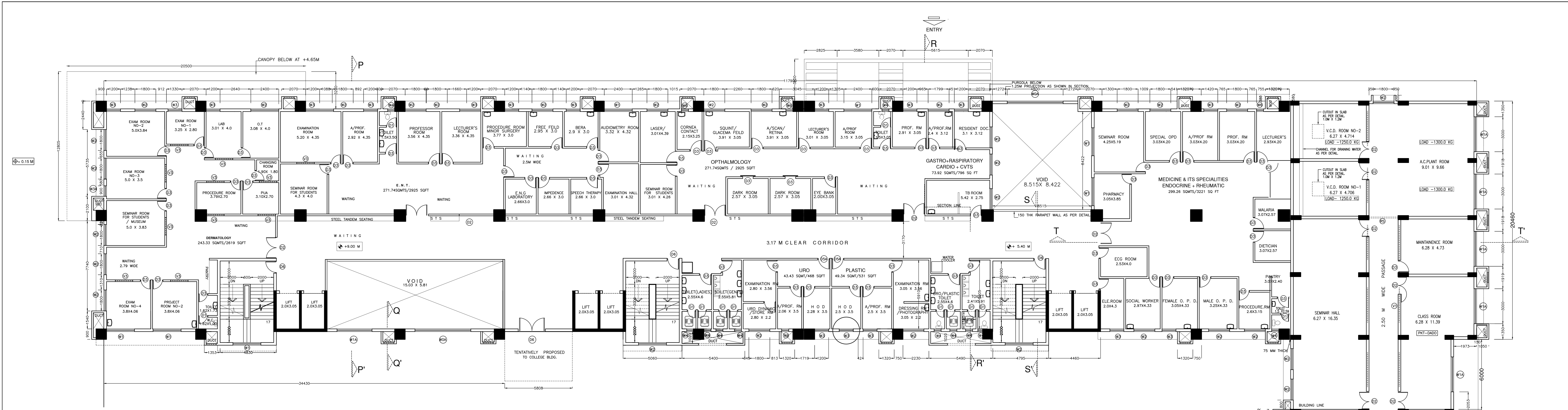
- NOTES:**
1. ALL DIMENSIONS ARE IN MM.
 2. PARTITION OTHER THAN BRICK WORK SHOWN DASHED LINE.
 3. IN CASE OF DISCREPANCY MUNICIPAL ARCHITECT TO BE INTIMATED.
 4. THE DRAWING WAS REVISED ON DT- 03.02.06.

BRIHANMUMBAI MAHANAGARPALIKA

FIRST FLOOR PLAN OF PROPOSED O.P.D. & M.O.T. BUILDING AT L.T.M.G. HOSPITAL, SION .

SCALE : 1:100 WARD : F/N ARCH DRG. NO -

S.E. ARCH. SR. ARCH. DY.MUN ARCHITECT MUNICIPAL ARCHITECT (I/C)



SECOND FLOOR PLAN O P D BUILDING

SCALE : 1 : 100

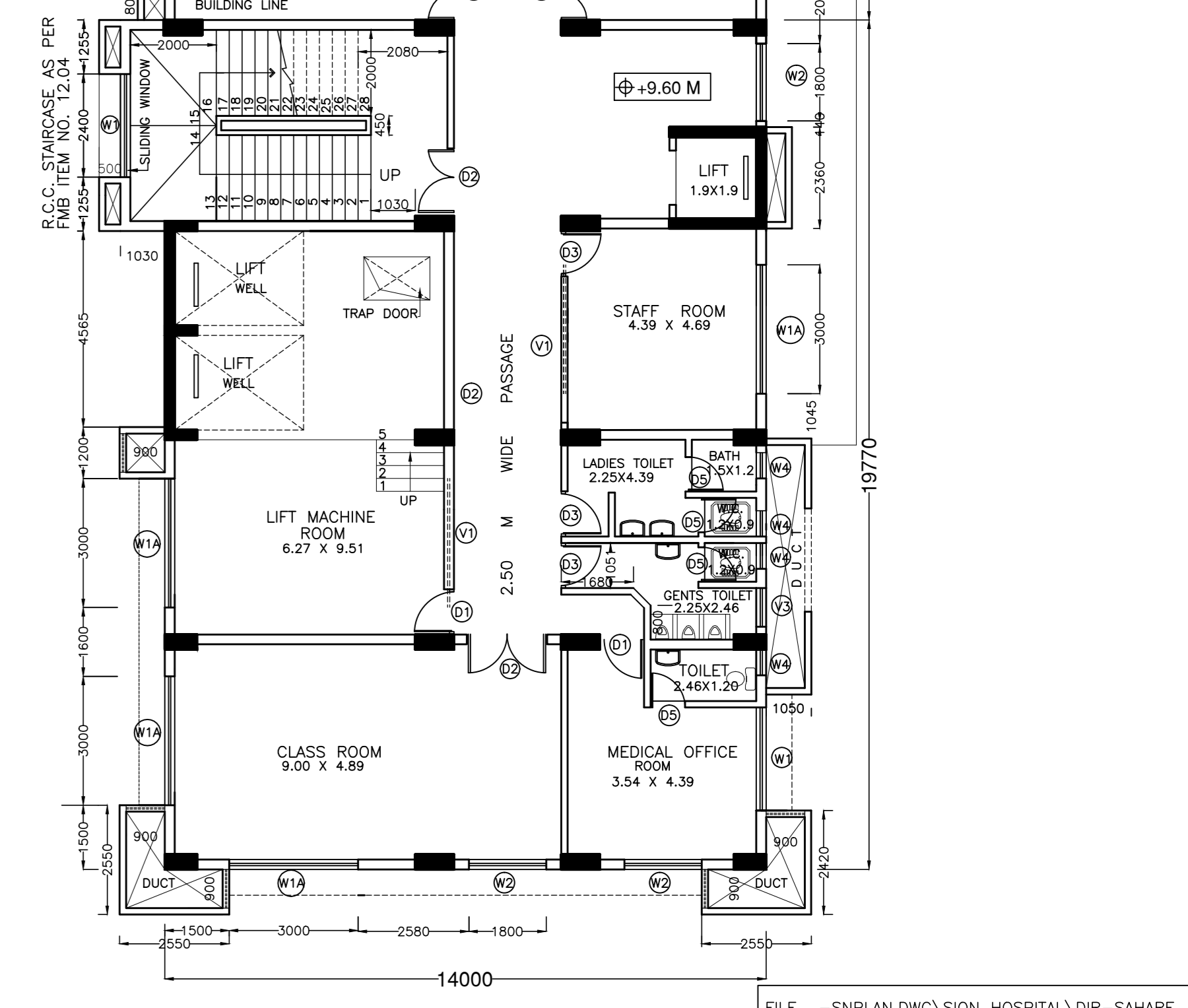
BRIHANMUMBAI MAHANAGARPALIKA

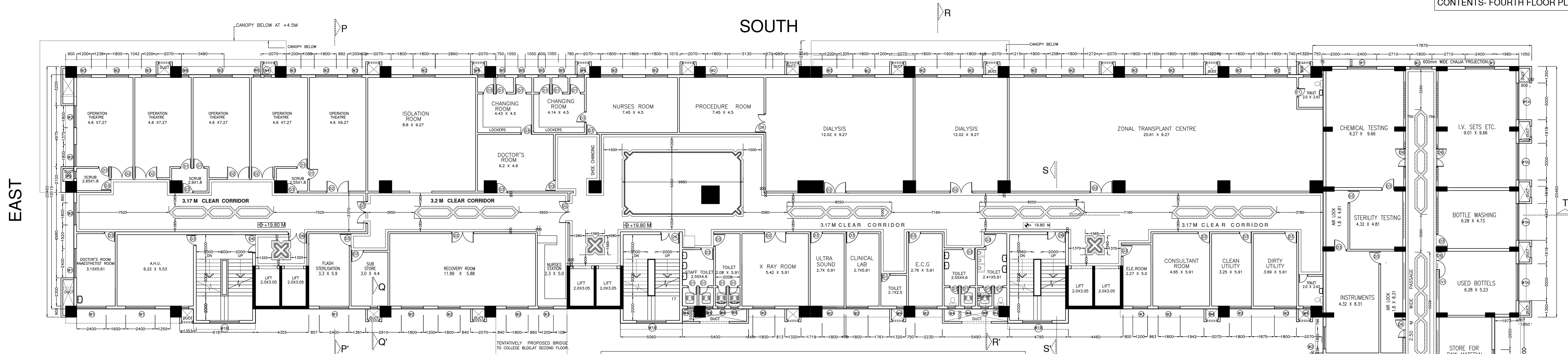
SECOND FLOOR PLAN OF PROPOSED O.P.D & M.O.T. BUILDING AT L.T.M.G. HOSPITAL, SION .

SCALE : 1:100 WARD : F/N ARCH DRG. NO - 176/16-11-2005

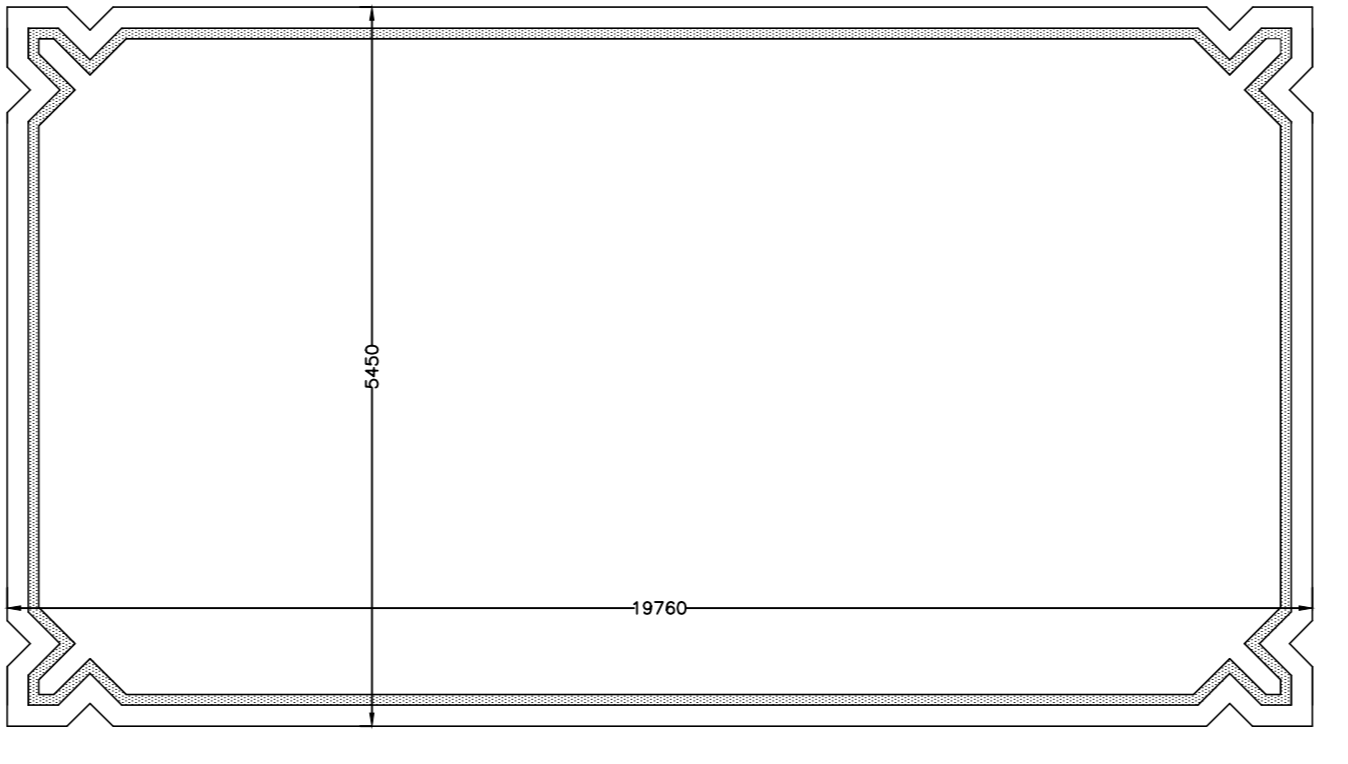
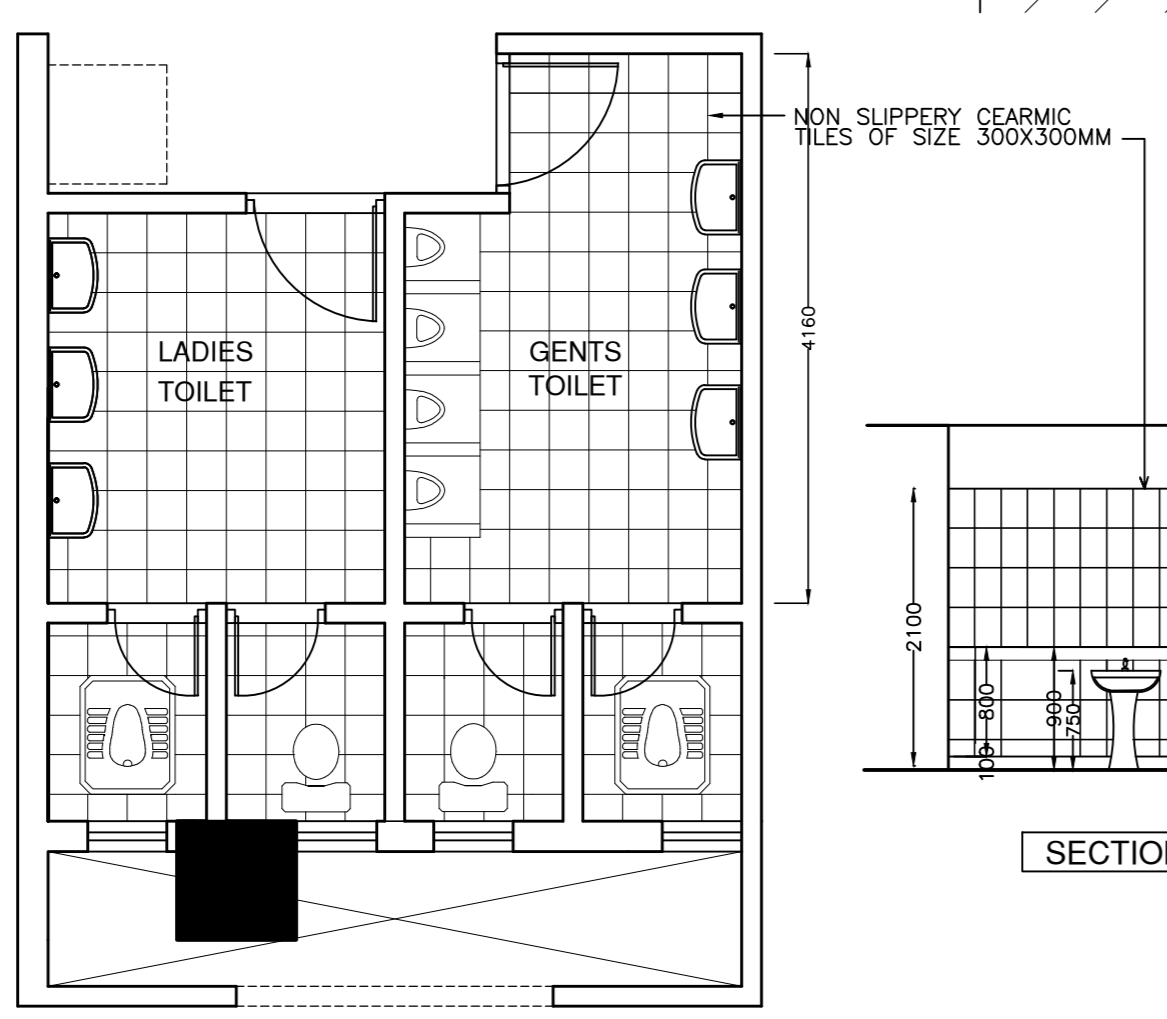
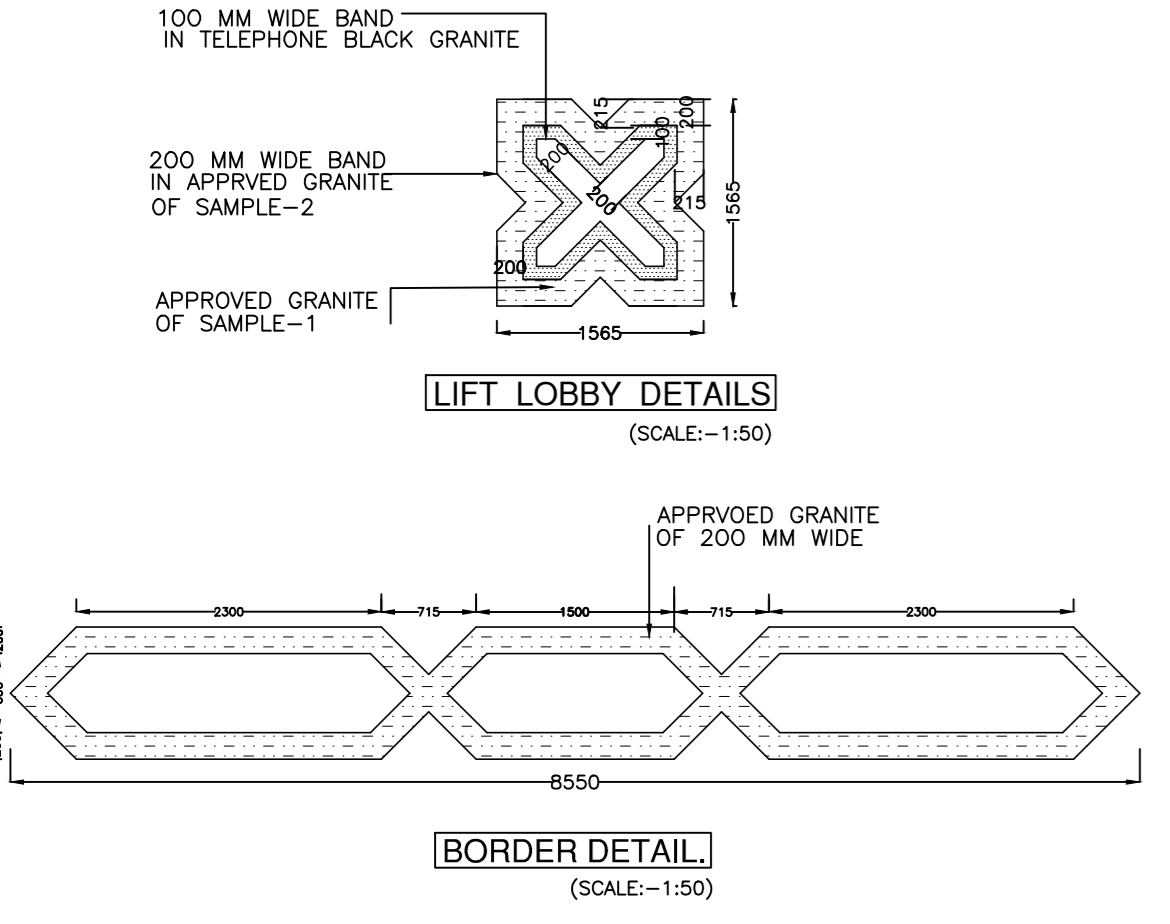
S.E. ARCH. SR. ARCH. DY.MUN ARCHITECT CITY (I/C) MUNICIPAL ARCHITECT (I/C)

- NOTES :**
1. ALL DIMENSIONS ARE IN MM.
 2. THIS DRAWING SUPERSEDES ARCH.DRG.NO-149/DT-4-10-05.
 3. PARTITION OTHER THAN BRICK WORK SHOWN DASHED LINE.
 4. THE FINISH LVL. OF THE BUILDING IS RANDED FROM +0.75M TO +1.20M A PER THE NOTE FROM DY.S.E. (B.C. CITY U/NO DY C.E./2435/ / B.C. OF 05.08.05).
 5. IN CASE OF DISCREPANCY MUNICIPAL ARCHITECT TO BE INTIMATED.





FOURTH FLOOR PLAN O.P.D & M.O.T BUILDING (SCALE : 1 : 100)



NOTES:
 1. ALL DIMENSIONS ARE IN MILLIMETERS UNLESS SPECIFIED.
 2. PARTITION OTHER THAN BRICK WORK SHOWN IN
 3. IN CASE OF DISCREPANCY MUNICIPAL ARCHITECT TO BE INTIMATED.

SCHEDULE OF FLOOR FINISHES :-			
FOURTH FLOOR PLAN			
SR.NO.	UTILITY	FLOORING	DADO/SKIRTING
1.	PASSAGES, LIFT LOBBIES, INQUIRY, WAITING AREA OF DEPARTMENTS, CORRIDORS, PASSAGE AT WARDENRY BLDG. AND O.P.D. BLDG.	GRANITE FLOORING OF SIZE 0.3M X 0.6M IN APPROVED COLOUR.	TOTAL DADO HT. 2.20M INCLUDES DADO UP TO 2.1M HIGH IN CERAMIC TILES OF SIZE 0.2M X 0.2M IN APPROVED COLOUR AS PER DESIGN AND 0.1M HT. RUNNING GRANITE BAND FOR SKIRTING AND 0.1M HT. GRANITE BAND OVER CERAMIC TILES AT TOP AS WELL & OF APPROVED COLOUR.
2.	OPERATION-THEATRES, ISOLATION ROOM, RECOVERY ROOM, SCRUB, PEDANETRICS, DOCTOR'S ROOM, ANAESTHETIST ROOM, NURSE'S ROOM, CHANGING ROOM, MEDICAL OFFICER'S ROOM, CONSULTANT'S ROOM, PROCEDURE ROOM, FLASH STERILISATION RM., DIALYSIS ROOM, X-RAY ROOM, ULTRA SOUND, CLINICAL LAB, E.C.G. ZONAL TRANSPLANT CENTRE, CLEAN UTILITY, DRY UTILITY, WARDENRY, LABORATORY.	GRANITE FLOORING OF SIZE 0.3M X 0.6M IN APPROVED COLOUR.	DADO UP TO 2.1M HIGH CERAMIC TILES OF SIZE 0.2M X 0.2M IN APPROVED COLOUR AS PER DESIGN AND SKIRTING IN 0.1M HIGH GRANITE BAND ALL AROUND.
3.	A.H.U. ROOM, STORE ROOMS, SUB STORE RM., ELECT. ROOM	GRANITE FLOORING OF SIZE 0.3M X 0.6M IN APPROVED COLOUR.	0.2M HIGH SKIRTING IN GRANITE TILES OF APPROVED COLOUR AS PER DESIGN.
4.	STAIRCASES	TREADS AND RISERS IN GRANITE OF APPROVED COLOUR.	DADO UP TO 1.3M HT. IN CERAMIC TILES OF SIZE 0.2M X 0.3M IN APPROVED COLOUR AS PER DESIGN INCLUDING 0.1M HT. GRANITE BAND AT TOP & BOTTOM.
5.	TOILETS.	ANTI-SKID CERAMIC TILES OF SIZE 0.3M X 0.3M IN APPROVED COLOUR AS PER DESIGN.	DADO UP TO 2.1M HIGH CERAMIC TILES OF SIZE 0.2M X 0.3M IN APPROVED COLOUR AS PER DESIGN AND SKIRTING IN 0.1M HIGH GRANITE BAND ALL AROUND.

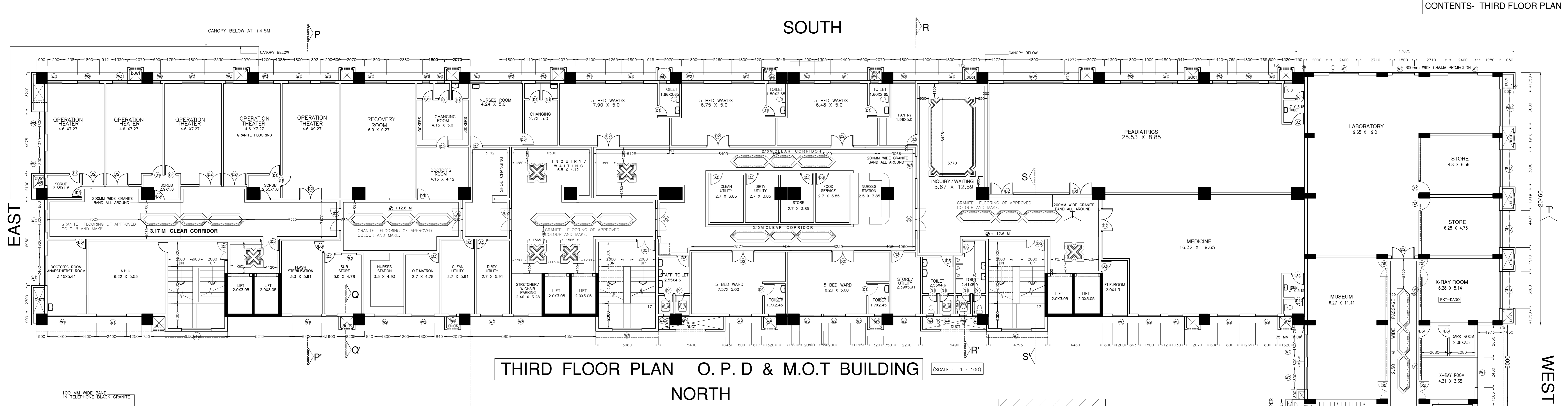
NOTE: THIS DRAWING SHALL BE SUPERSEDE EARLIER ARCH. DRAWING NO. 90/20-05-06.

BRIHANMUMBAI MAHANAGARPALIKA

PROPOSED FOURTH FLOOR PLAN OF O.P.D & M.O.T. BUILDING AT L.T.M.G. HOSPITAL, SION.

SCALE : AS SHOWN WARD : F/N ARCH DRG. NO. - APPROVED BY: G\BMLDGGI&mp

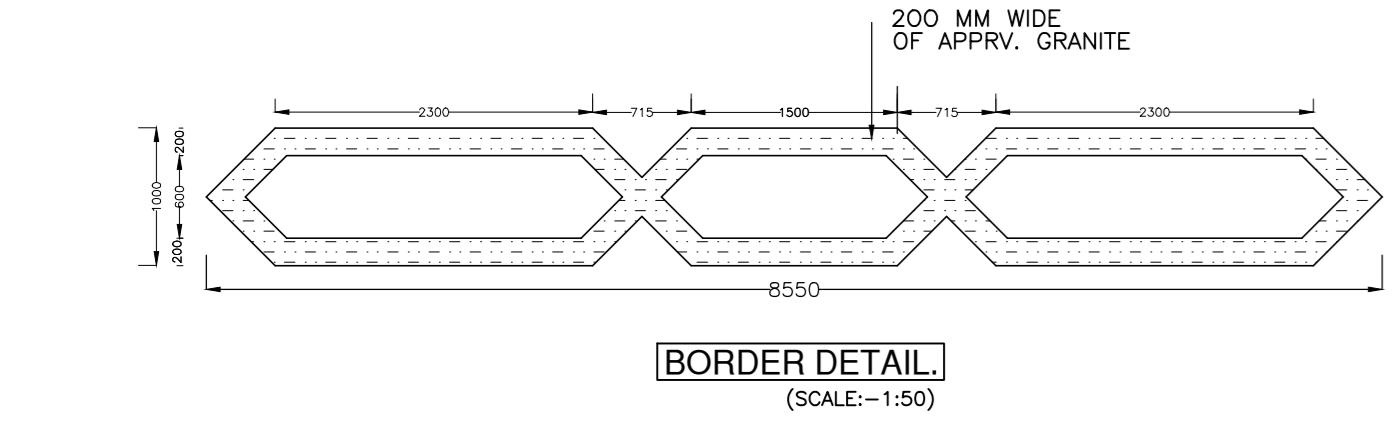
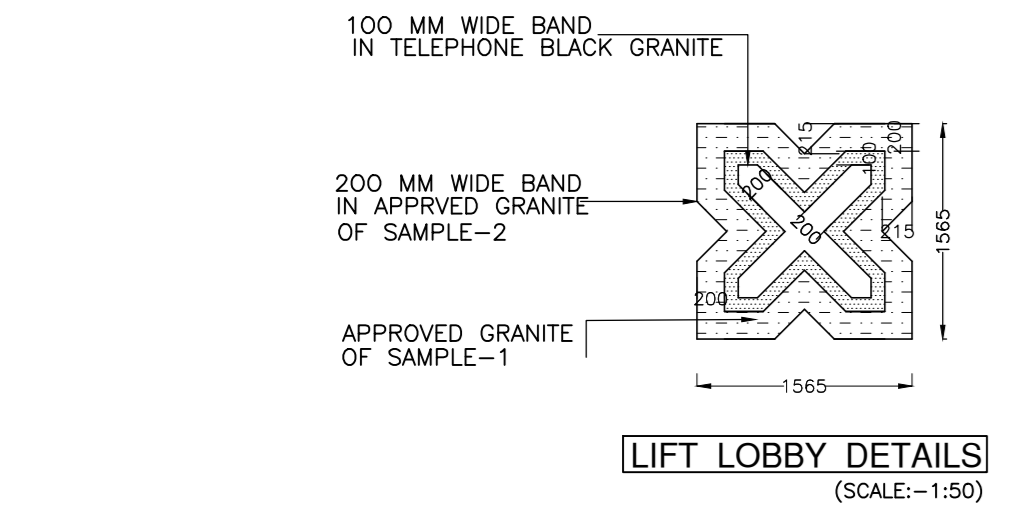
S.E.(ARCH.) SR. ARCH. DY.MUN. ARCHITECT MUNICIPAL ARCHITECT (I/C) USER DEPT. N



THIRD FLOOR PLAN O.P.D & M.O.T BUILDING (SCALE : 1 : 100)

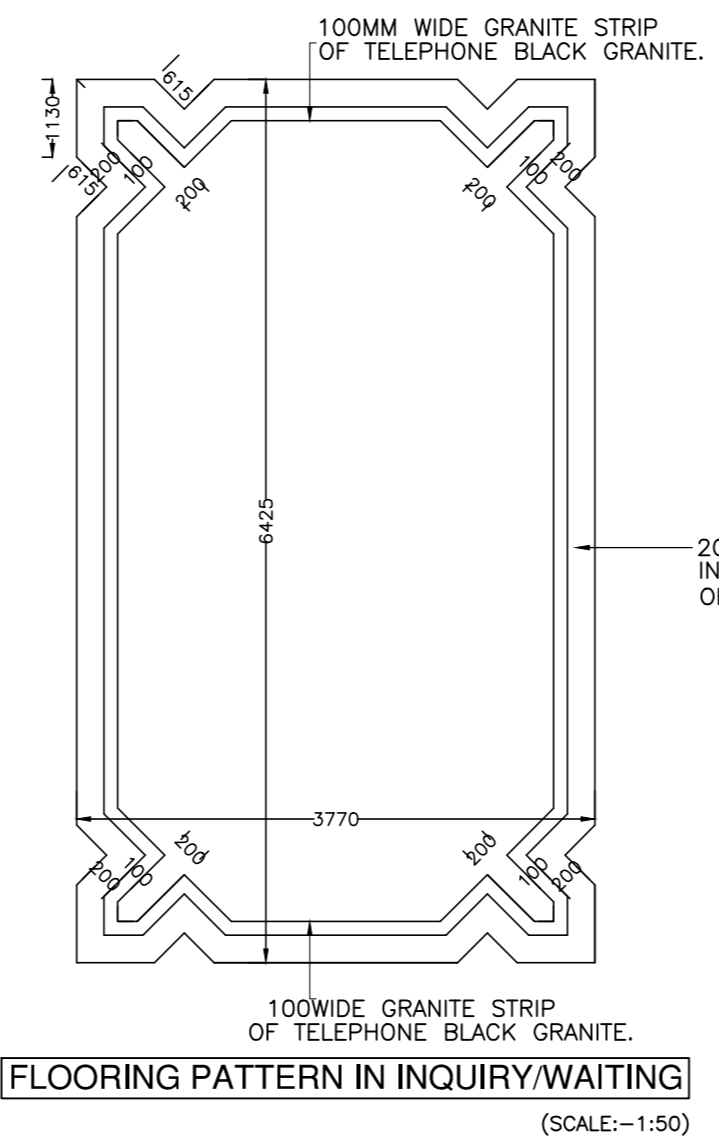
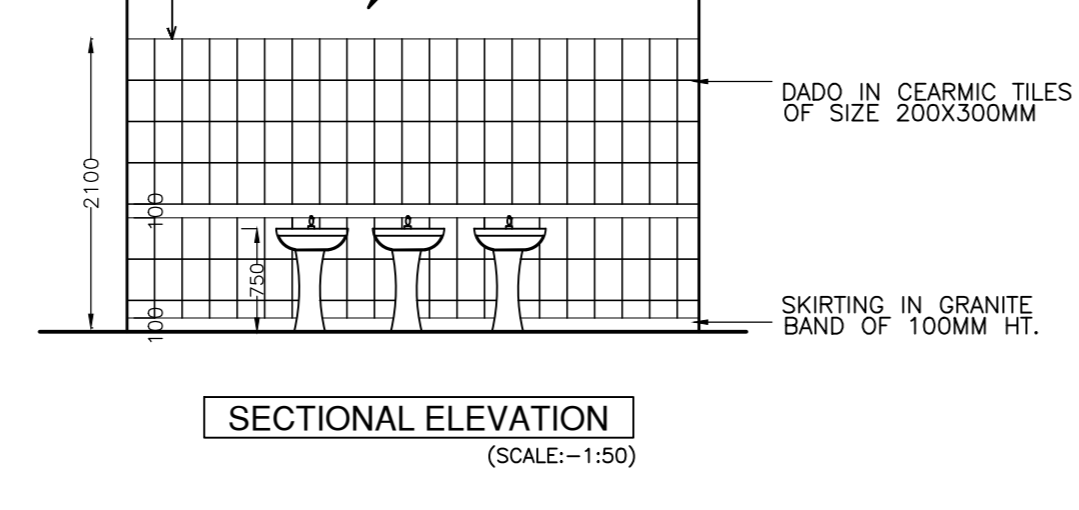
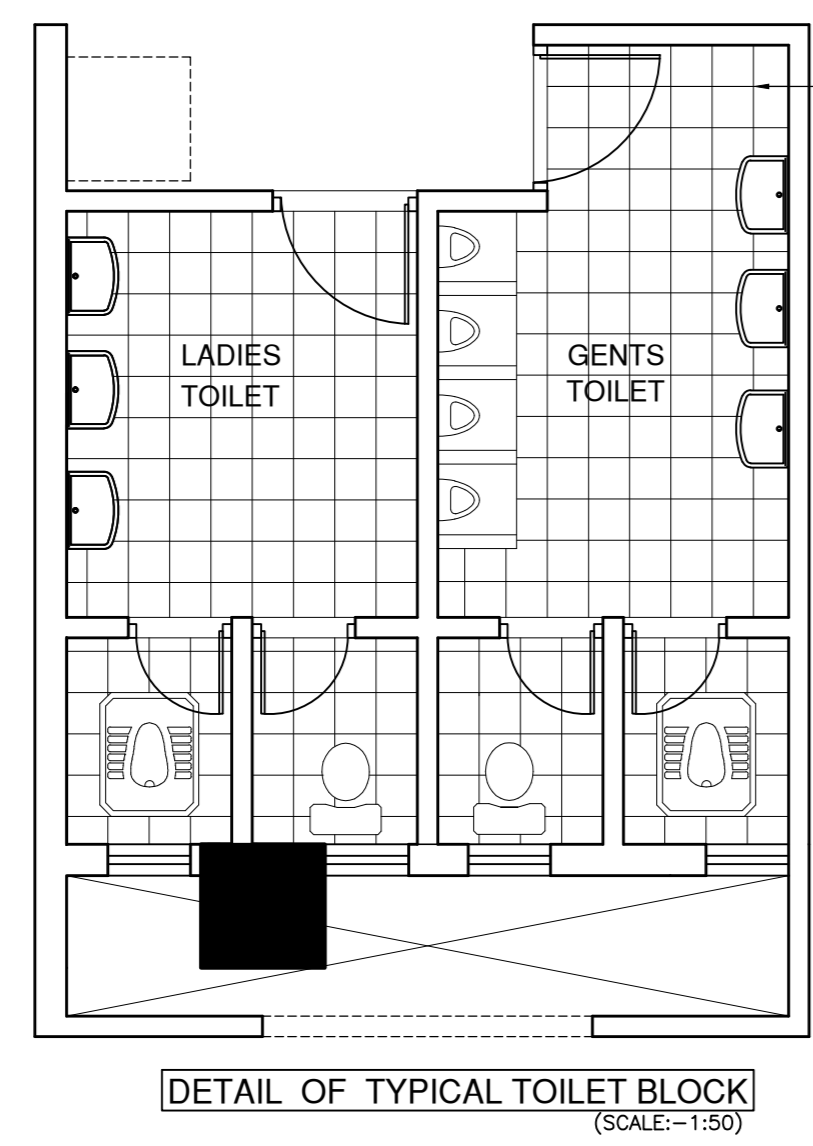
NORTH

MEDICAL COLLEGE BLOCK



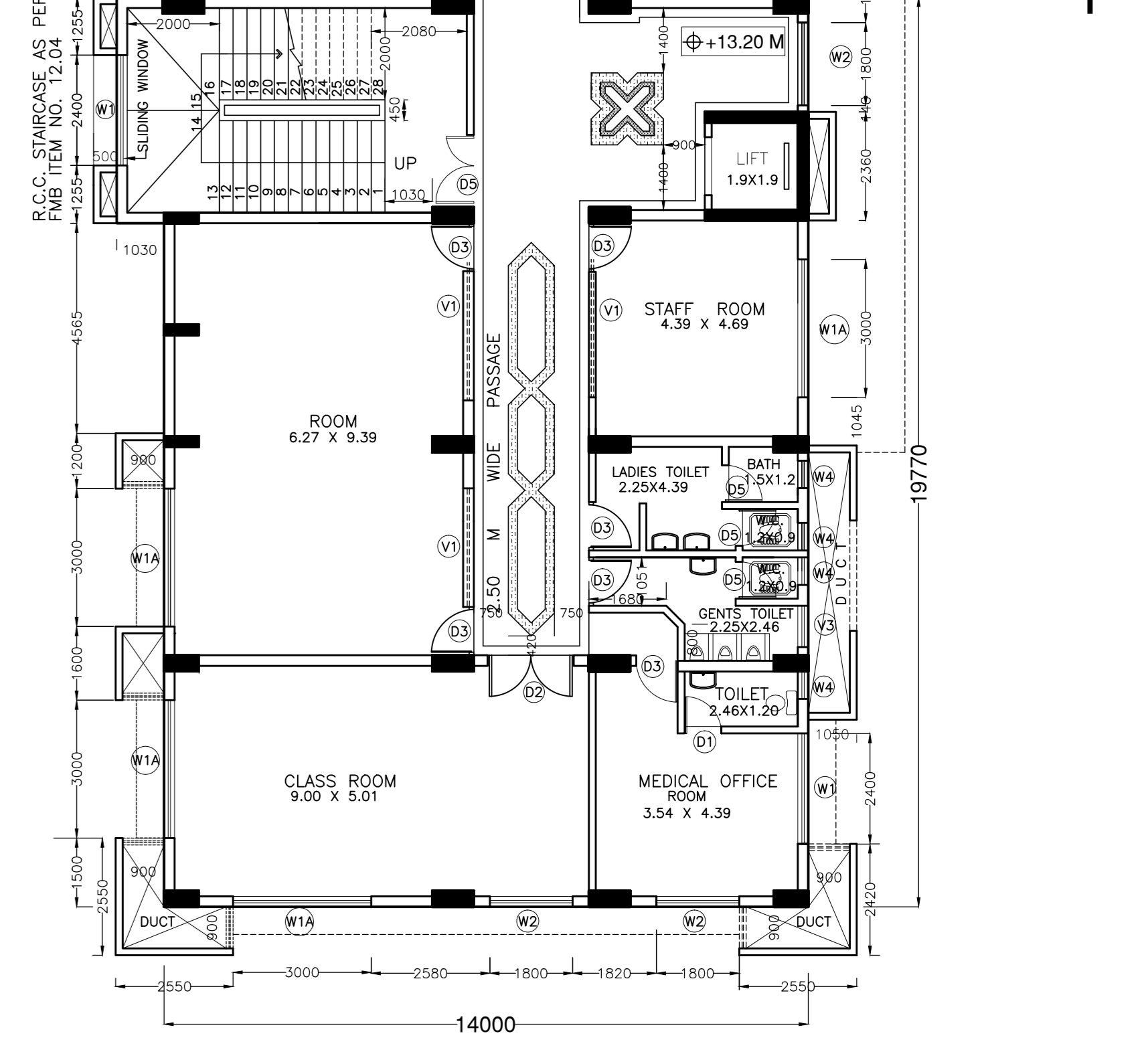
NOTE: THIS DRAWING SHALL BE SUPERSEDE EARLIER ARCH. DRAWING NO. 6/12/04-0-2006.

BRIHANMUMBAI MAHANAGARPALIKA			
PROPOSED THIRD FLOOR PLAN OF O.P.D & M.O.T. BUILDING AT L.T.M.G. HOSPITAL, SION.			
SR. ARCH. (CITY)	DY. MUN. ARCHITECT (CITY)	MUNICIPAL ARCHITECT (1/C)	USER DEPT.
			N

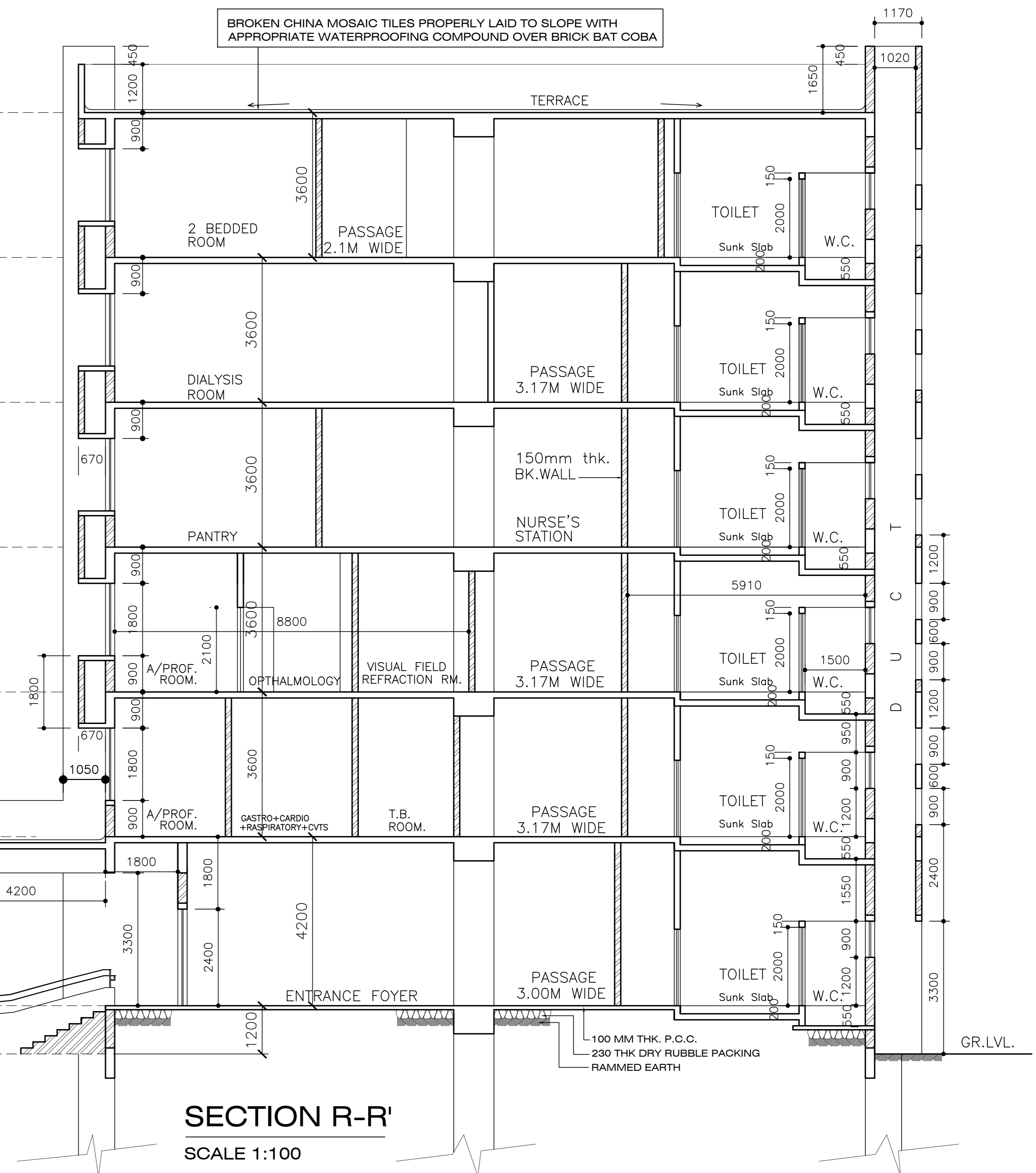
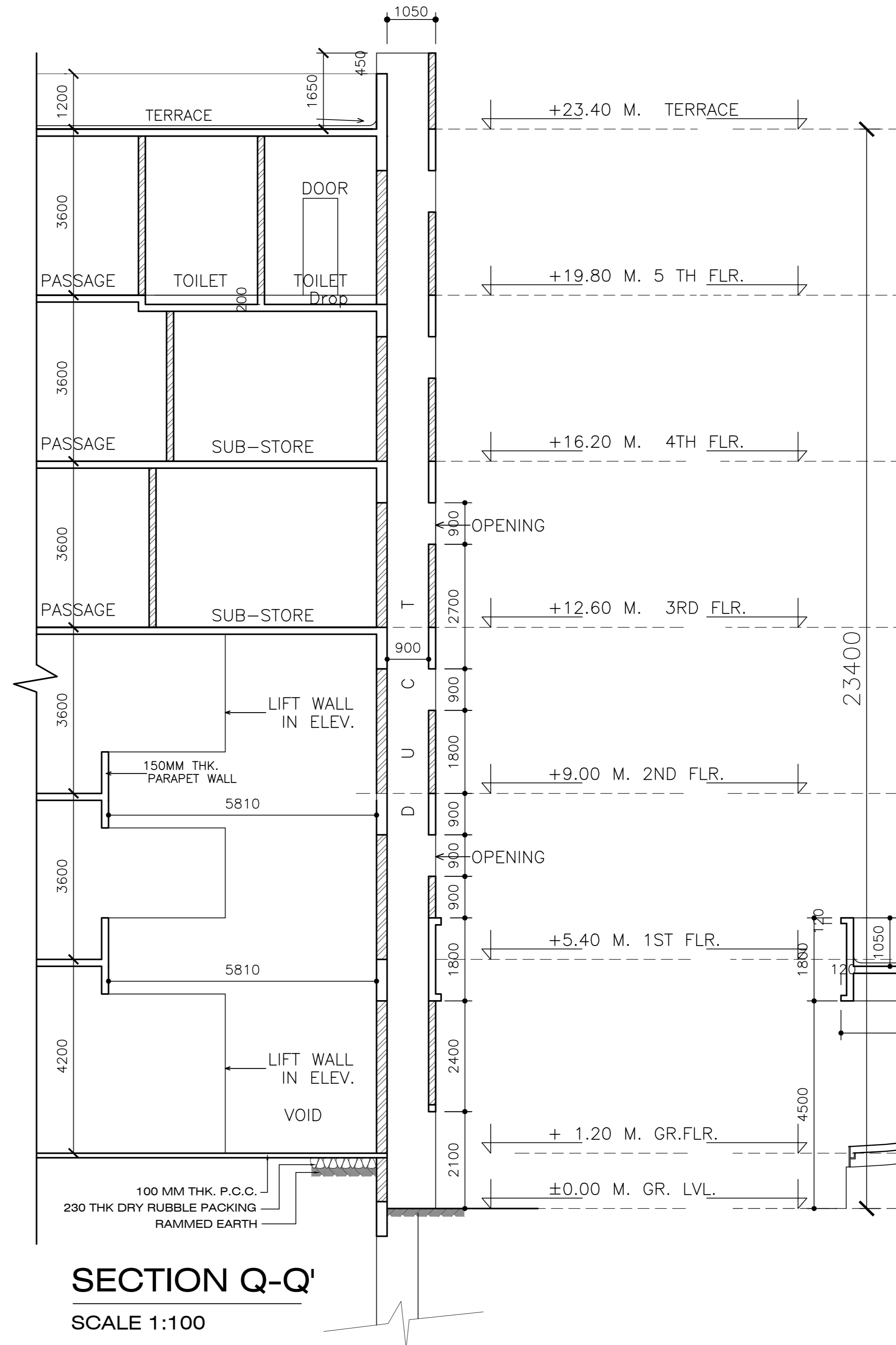
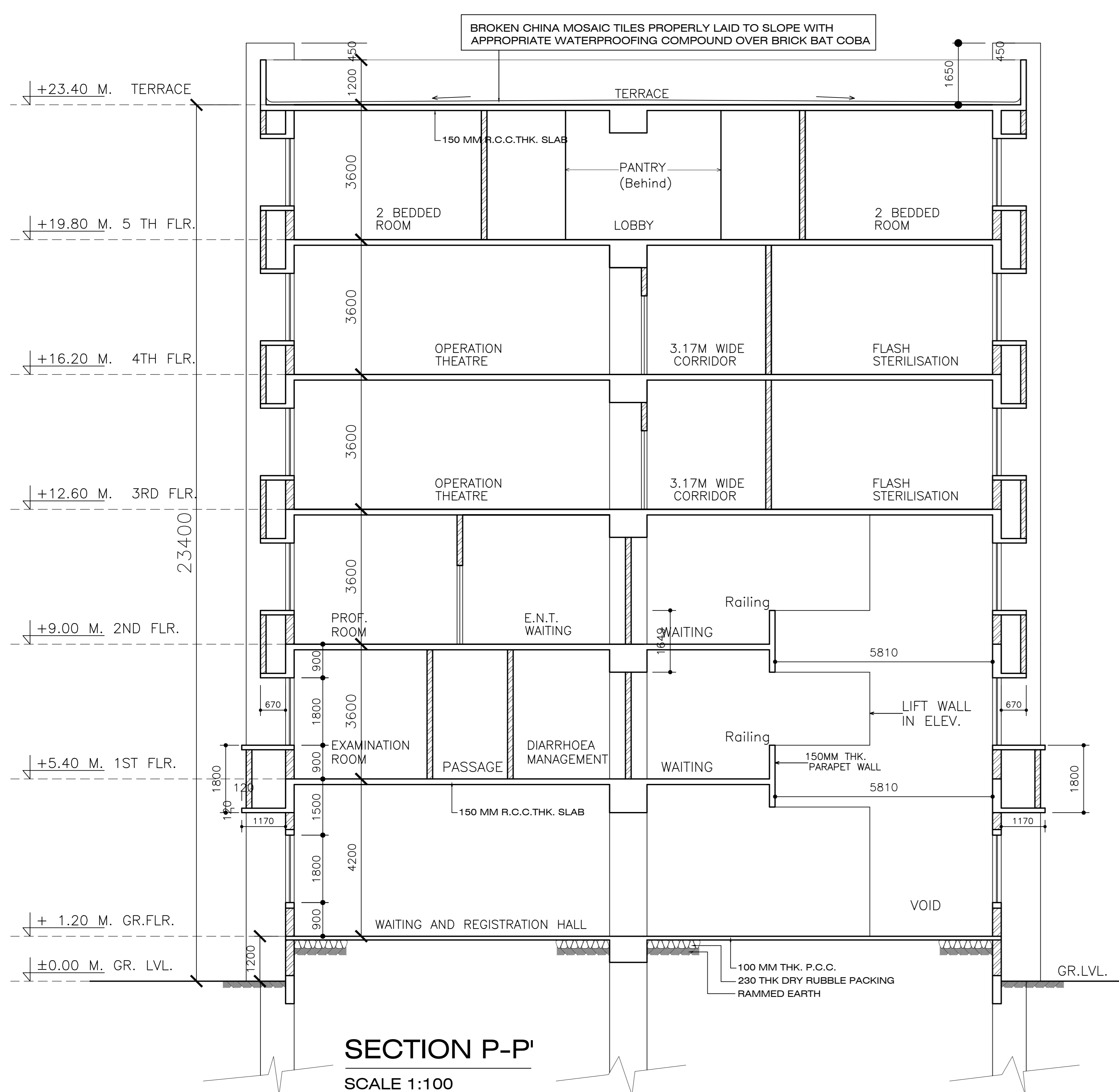


- NOTES:
1. ALL DIMENSIONS ARE IN MILLIMETRES UNLESS SPECIFIED.
 2. PARTITION OTHER THAN BRICK WORK SHOWN IN DASHED LINE.
 3. IN CASE OF DISCREPANCY MUNICIPAL ARCHITECT TO BE INTIMATED.

SCHEDULE OF FLOOR FINISHES :-			
THIRD FLOOR PLAN			
SR.NO.	UTILITY	FLOORING	DADO/SKIRTING
1.	PASSAGES, LIFT LOBBIES, INQUIRY, WAITING AREA OF DEPARTMENTS, CORRIDORS, PASSAGE AT MORTUARY AND O.P.D. BLDGS.	GRANITE FLOORING OF APPROVED COLOUR AND OF SIZE 0.3M X 0.6M	TOTAL DADO HT. 2.20M INCLUDES DADO UP TO 2.1M HIGH IN CERAMIC TILES APPROVED COLOUR AND OF SIZE 0.2M X 0.2M AS PER DESIGN. SKIRTING IN 0.1M HT. RUNNING GRANITE BAND AND 0.1M HT. GRANITE BAND OVER CERAMIC TILES AT TOP AS WELL & OF APPROVED COLOUR.
2.	OPERATION-THEATRES, SCRUBS, RECOVERY MUSEUM ROOM, PEDIATRICS, MEDICINE, DOCTORS ROOM, NURSE ROOM, CHANGING ROOMS, MEDICAL OFFICER'S ROOM, CLEAN UTILITY, DIRTY UTILITY, WARD/LABORATORY.	GRANITE FLOORING OF APPROVED COLOUR AND OF SIZE 0.3M X 0.6M	DADO UP TO 2.1M HIGH CERAMIC TILES OF SIZE 0.2M X 0.3M IN APPROVED COLOUR AS PER DESIGN AND SKIRTING IN 0.1M HIGH GRANITE BAND ALL AROUND.
3.	A.H.U. ROOM, STORE ROOMS, CLASSROOMS, ELE. ROOM	GRANITE FLOORING OF APPROVED COLOUR AND OF SIZE 0.3M X 0.6M	0.2M HIGH SKIRTING IN GRANITE TILES IN APPROVED COLOUR AS PER DESIGN.
4.	STAIRCASES	TREADS AND RISERS IN GRANITE OF APPROVED COLOUR.	DADO UP TO 1.3M HIGH CERAMIC TILES OF APPROVED COLOUR AND MAKE AS PER DESIGN.
5.	TOILETS.	ANTI-SKID CERAMIC TILES OF SIZE 0.3M X 0.3M IN APPROVED COLOUR AS PER DESIGN.	DADO UP TO 2.1M HIGH CERAMIC TILES OF SIZE 0.2M X 0.3M IN APPROVED COLOUR AS PER DESIGN AND SKIRTING IN 0.1M HIGH GRANITE BAND ALL AROUND.

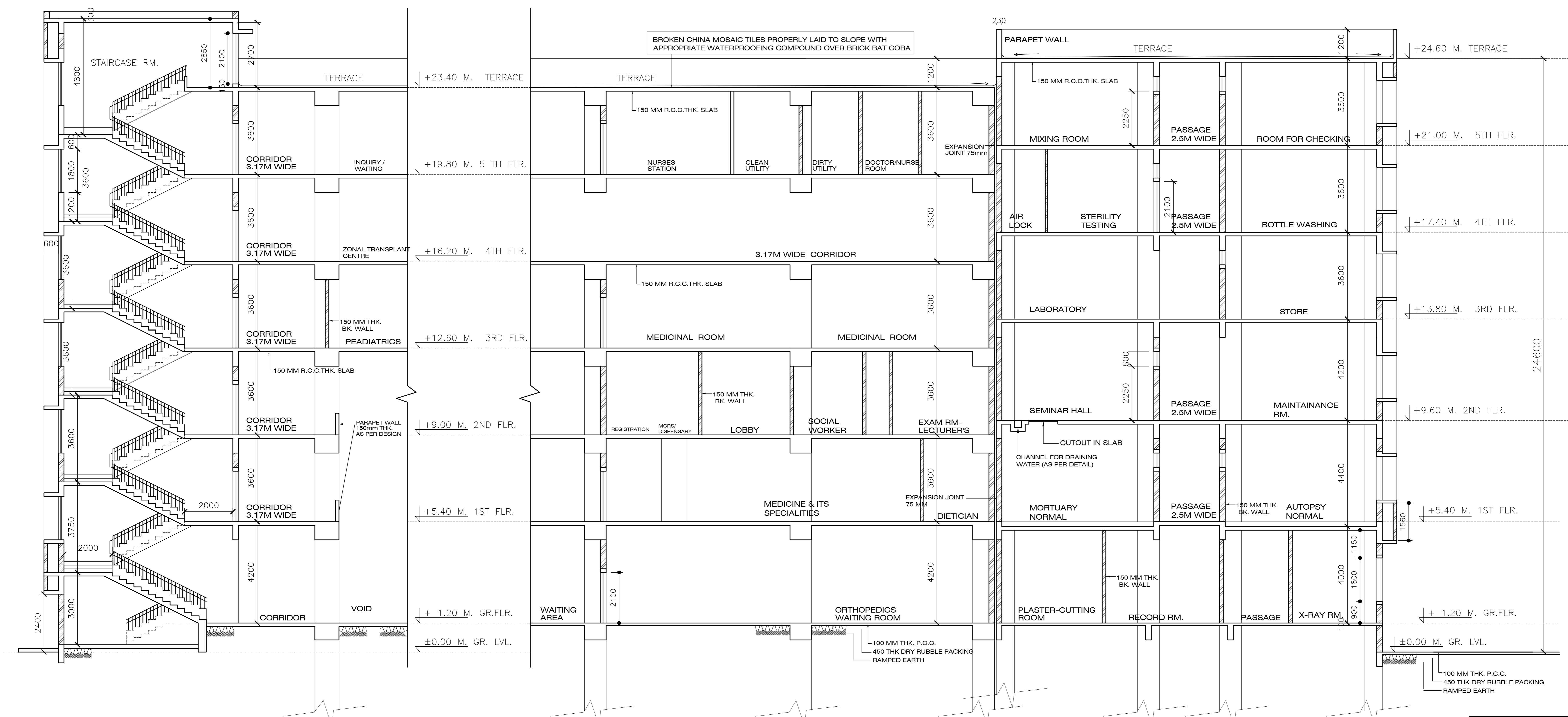


CONTENT OF SHEET
SECTION P-P, SECTION Q-Q,
SECTION R-R'



NOTES:
1. ALL DIMENSIONS ARE IN MM UNLESS OTHERWISE SPECIFIED

BRIHANMUMBAI MAHANAGARPALIKA			
PROPOSED O.P.D & M.O.T. BUILDING AT L.T.M.G. HOSPITAL, SION .			
SCALE : 1:100	WARD : F/N	ARCH DRG. NO-	
S.E. ARCH.	SR. ARCH.	DY.MUN ARCHITECT CITY	MUNICIPAL ARCHITECT

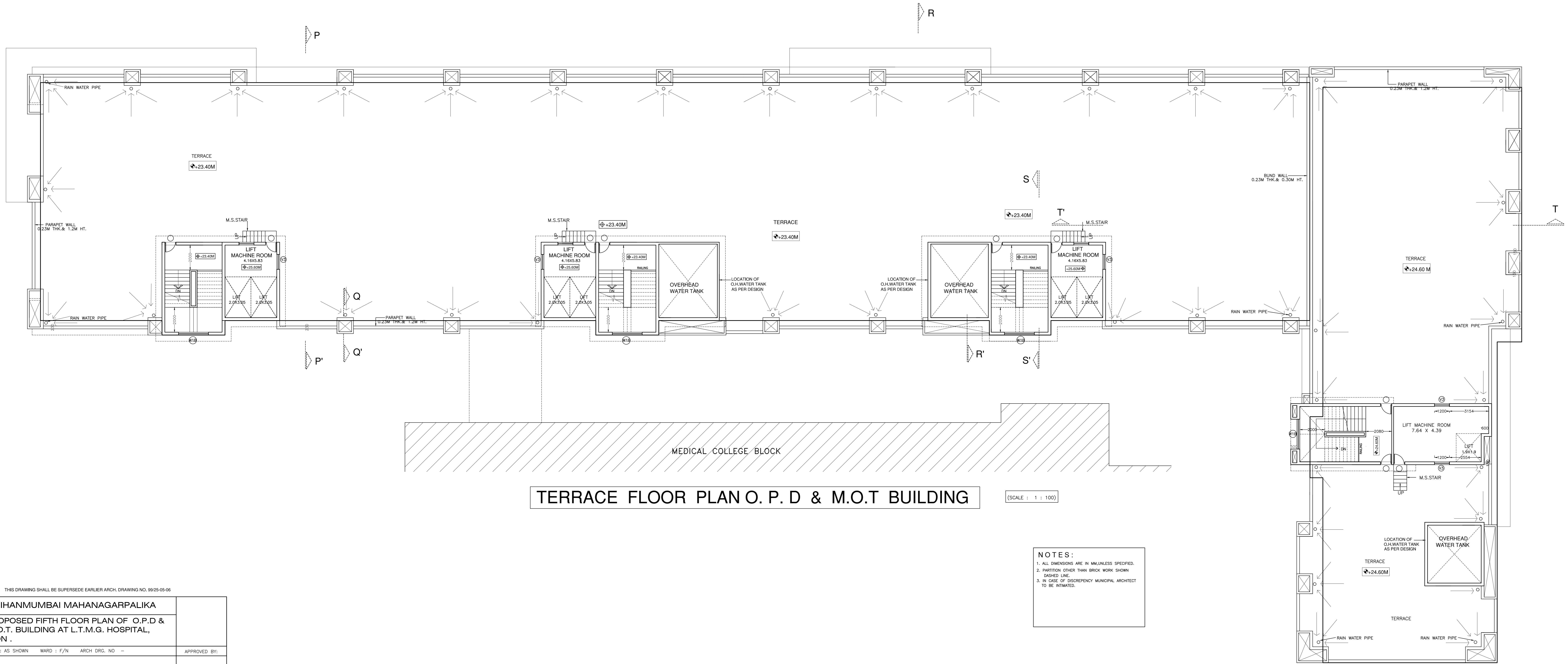


SECTION S-S' (Section through Staircase)
SCALE 1:100

SECTION T-T
SCALE 1:100

NOTES:
1. ALL DIMENSIONS ARE IN MM UNLESS OTHERWISE SPECIFIED

BRIHANMUMBAI MAHANAGARPALIKA			
PROPOSED O.P.D & M.O.T. BUILDING AT L.T.M.G. HOSPITAL, SION			
SCALE : 1:100	WARD : F/N	ARCH. DRG. NO-	
S.E. ARCH.	SR. ARCH.	DY.MUN ARCHITECT CITY	MUNICIPAL ARCHITECT



TERRACE FLOOR PLAN O. P. D & M.O.T BUILDING

(SCALE : 1 : 100)

NOTES:
 1. ALL DIMENSIONS ARE IN MM UNLESS SPECIFIED.
 2. PARTITION OTHER THAN BRICK WORK SHOWN DASHED LINE.
 3. IN CASE OF DISCREPANCY MUNICIPAL ARCHITECT TO BE INTIMATED.

NOTE: THIS DRAWING SHALL BE SUPERSEDE EARLIER ARCH. DRAWING NO. 9925-05-06

BRIHANMUMBAI MAHANAGARPALIKA			
PROPOSED FIFTH FLOOR PLAN OF O.P.D & M.O.T. BUILDING AT L.T.M.G. HOSPITAL, SION .			
SCALE : AS SHOWN	WARD : F/N	ARCH DRG. NO -	APPROVED BY:
S.E.(ARCH.)	SR. ARCH. (CITY)	DY.MUN. ARCHITECT (CITY)	MUNICIPAL ARCHITECT (V/C)
			USER DEPT. N